

Receiver

From

Company
Reference
Address
Phone
Fax
E-mail

Item n° : 60118032
Customer pos. no.:

Model :
EUROSWIM 150 M

Pump data

Pressure rating : 2,467 atm
Min. fluid temperature : 0 °C
Max. fluid temperature : 60 °C
Max. Ambient temperature : 50 °C

Requested data

Flow :
Head :
Fluid : Water
Fluid Temperature : 20 °C
Density : 998,3 kg/m³
Kinematic viscosity : 1,005 mm²/s
Vapor pressure : 0,02 atm

Hydraulic data (duty point)

Flow :
Head :

Materials

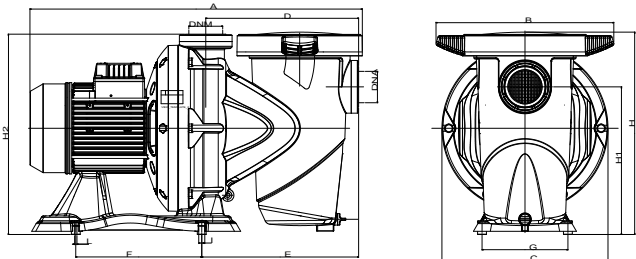
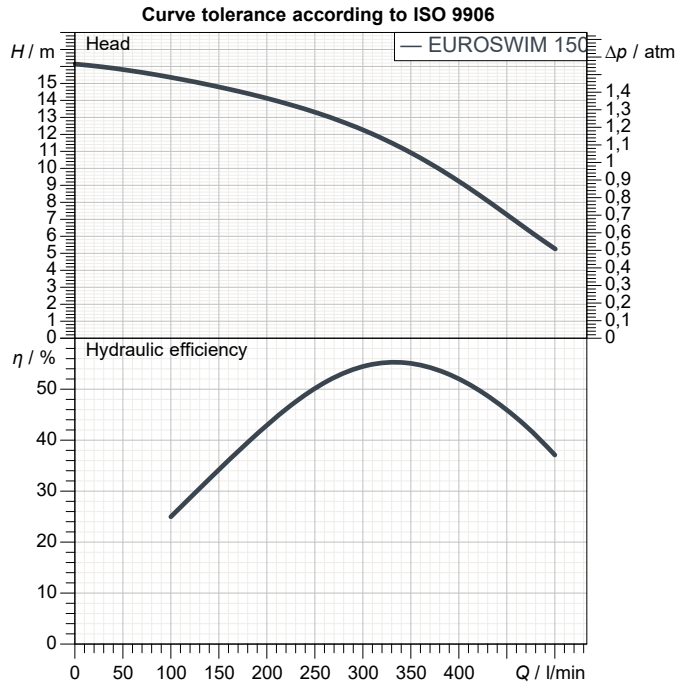
Pump body : Reinforced technopolymer
Impeller : Reinforced technopolymer
Diffuser : Reinforced technopolymer
Filter : Technopolymer
Mechanical seal : Carbon/Alumina/NBR/AISI316
Filter cover : Polycarbonate
O-ring : NBR

Motor data

Motor brand : DAB
Nominal power P2 : 1,1 kW
Rated speed : 2.800 1/min
Rated voltage : 1~ 220-240 V 50 Hz
Nominal current : 7 A
Degree of protection : IP X5

Pump connection

Suction side : 2" G / 2,467 atm
Discharge side : 2" G / 2,467 atm



Weight : 17,9 kg

Dimensions in mm	
A	581
B	311
C	290
D	267
DNA	G2"
DNM	G2"
E	274
F	220
G	150
H	353
H1	258
H2	350
I	11
L	6,5



PERFORMANCE CURVES

2023-10-2€

Page 2 / 3

DAB PUMPS S.p.A.
Via Marco Polo, 14 - 35035 Mestrino (PD), Italy
Tel. +39 049 5125000 - Fax +39 049 5125950
www.dabpumps.com

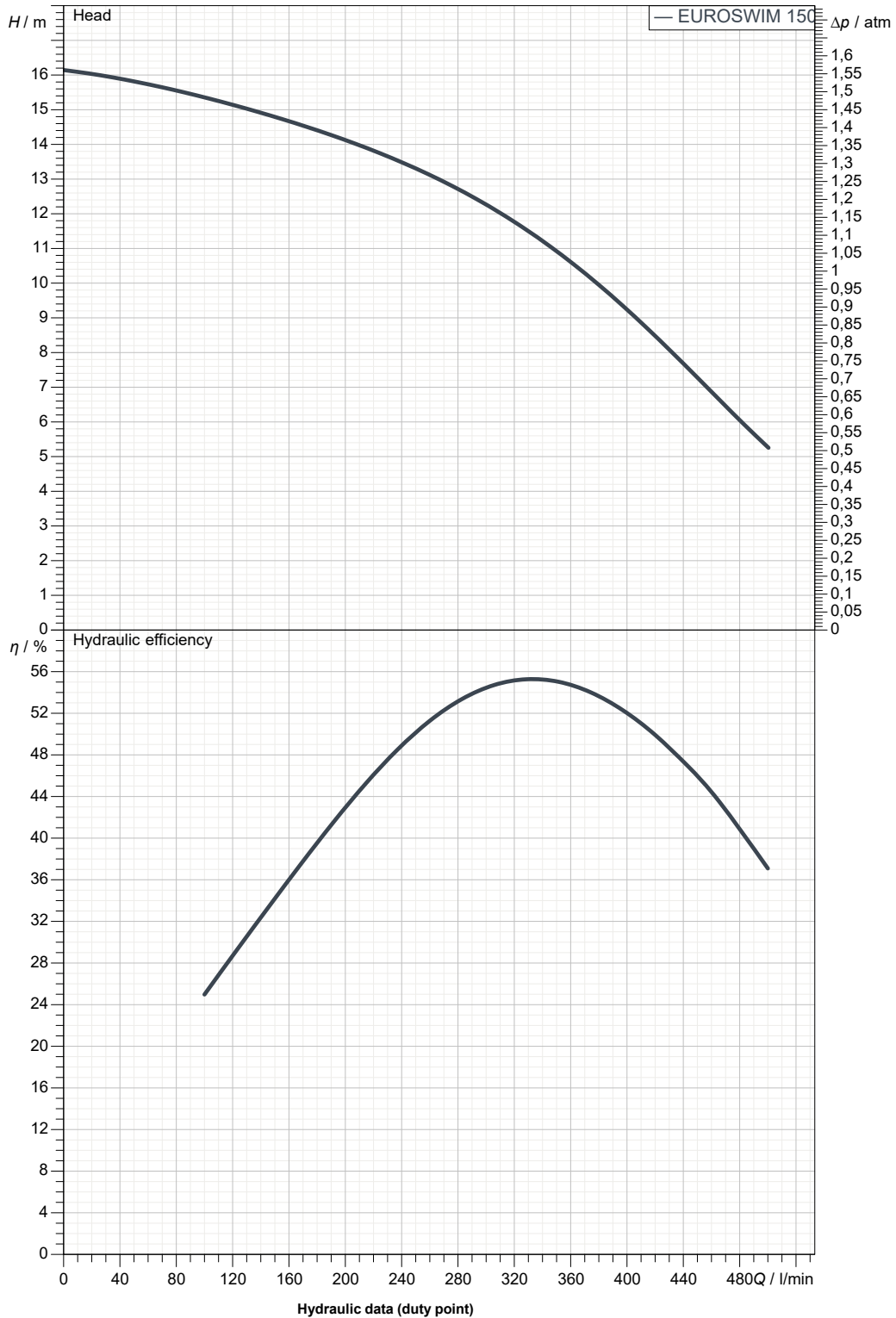
Receiver

From

Company
Reference
Address
Phone
Fax
E-mail

EUROSWIM 150 M

Curve tolerance according to ISO 9906



Suction side :
2" G
2,467 atm

Discharge side :
2" G
2,467 atm

Flow :

Head :

Rated speed :
2.800 1/min

MAIN_PROJECT_TITLE

BUSINESS_PROCESS_ID

OWNER_

ISSUE_DATE
2023-10-29



DIMENSIONAL DRAWING

2023-10-29

Page 3 / 3

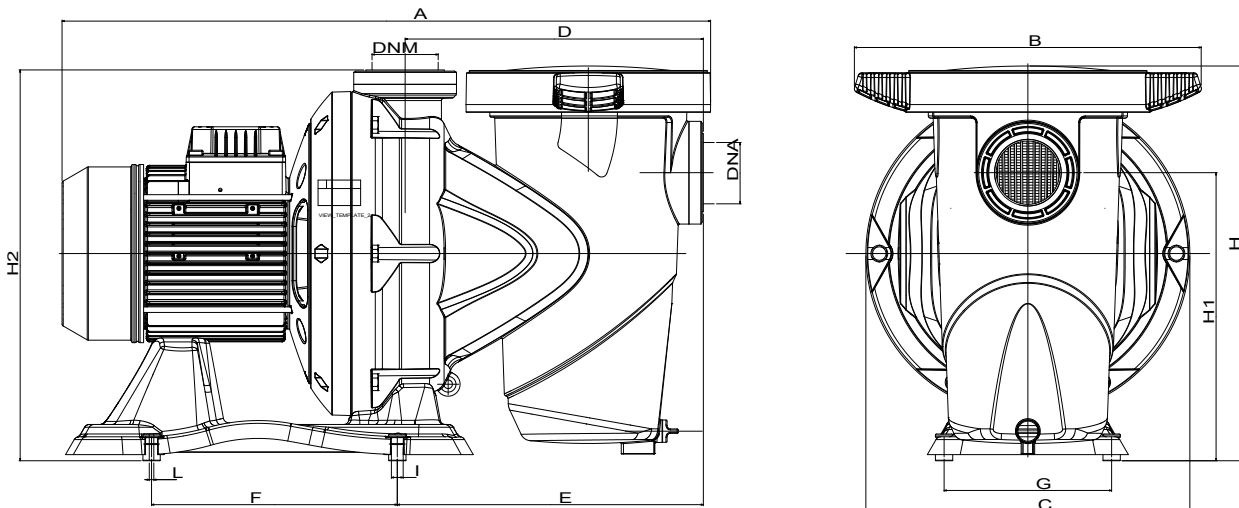
DAB PUMPS S.p.A.
Via Marco Polo, 14 - 35035 Mestrino (PD), Italy
Tel. +39 049 5125000 - Fax +39 049 5125950
www.dabpumps.com

Receiver

From

Company
Reference
Address
Phone
Fax
E-mail

EUROSWIM 150 M



Dimensions in mm

Pump connection

1	A	581	H2	350			
2	B	311	I	11			Suction
3	C	290	L	6,5			2" G
4	D	267					2,467 atm
5	DNA	G2"					
6	DNM	G2"					
7	E	274					Discharge
8	F	220					2" G
9	G	150					2,467 atm
10	H	353					
11	H1	258					

MAIN_PROJECT_TITLE

BUSINESS_PROCESS_ID

OWNER

ISSUE_DATE

2023-10-29